

VORTEX A/C

Total Enclosure Protection

... Against Heat and Contamination!

Keep electrical panels cool, clean and protected with the all-new alternative to expensive air conditioners.



US Patent 7,461,513

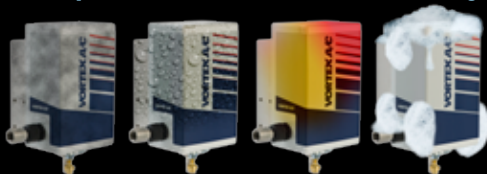
Avoid downtime with the most affordable, reliable and easiest to install enclosure protection product available in the market!

When the going gets Tough...

The Vortex A/C ensures reliable operation in these environments:

- Dust and dirt
- Highly humid or wet locations
- High heat
- Airborne mists and oils
- Sanitizing procedures (food & bev.)

Dirty Wet Heat Sanitizing



The only protection for enclosures with reliable cooling operation in harsh environments up to 175° F (80° C)

- Lowest cost compared to conventional air conditioner
- Very easy and quick top or side mount installation, no wiring
- No maintenance required
- Extremely reliable
- Very quiet, 62 dBA operation
- Slight pressurization of enclosure in all operating modes
- Integral mechanical thermostat maintains 80° to 90° F temperatures
- 10 year warranty
- NEMA 12 and NEMA 4/4X models (IP52 and IP56)
- UL Listed (most models)
- Operates in environments up to 175° F (80° C)



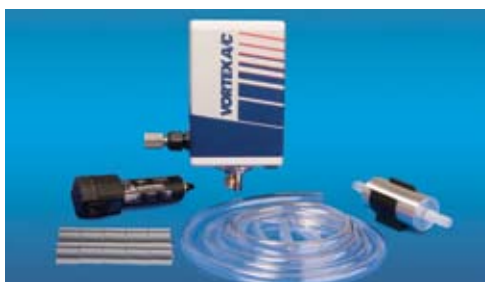
VORTEC

The Originator of Vortex Tube Products

800-745-5355 Vortec.com

Compare The Differences

	Vortex A/C	Refrigerant-based Air Conditioners	Vortex Cooler
Physical size (in cubic inches)	204 to 268	3200 to 5200	30
Average installation time	15 min.	3 hours	1 hour, wiring required
Maximum ambient temperature	175°F (80°C)	131°F (55°C)	175°F (80°C)
Operating noise level	62-64 dBA	62-64 dBA	75-84 dBA
Weight	6 to 8.75 lb.	52 to 130 lbs.	6 to 10 lbs.
Mounting Footprint	25.5 to 33.6 sq. in.	212 to 540 sq. in.	5 sq. in.
Warranty	10 Years	1 Year	10 years
Initial Cost	Low	Very High	Low
Real Ownership Cost (including energy cost)	Low	High (maintenance/downtime)	Low
Contaminant and dust build-up	None (pressurized)	Contaminants enter enclosure	None, pressurized only when cooling

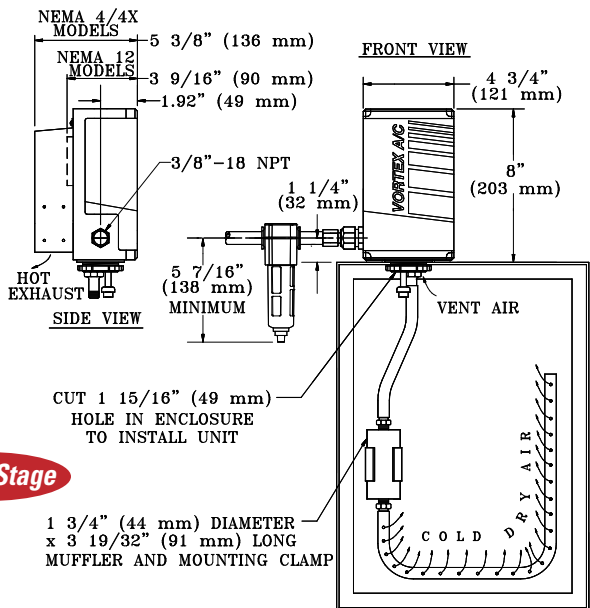


All Vortex A/C models come as a complete system, and include a cold air ducting kit, cold end muffler, and 5-micron Auto-Drain compressed air filter.

Specifications

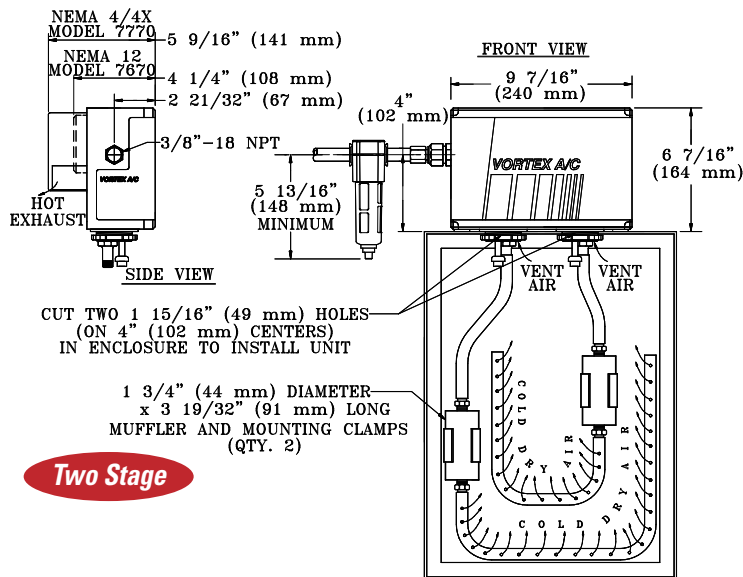
Models		Cooling Capacity		Air Consumption	
NEMA 12 (IP52)	NEMA 4/4X (IP56)	BTUH	WATTS	SCFM	SLPM
7615	7715	900	264	15	425
7625	7725	1500	440	25	708
7635	7735	2500	732	35	991
7670	7770	5000	1465	70	1981

Models 7670 and 7770 are two-stage coolers. To conserve energy, during periods of low heat load only one stage is activated via mechanical thermostat. (Patent pending.)



Single Stage

(VORTEX A/C SHOWN TOP MOUNTED ON CUSTOMER'S ENCLOSURE)
900, 1500 AND 2500 BTUH MODELS SHOWN HERE



Two Stage

(TWO-STAGE 5000 BTUH VORTEX A/C SHOWN TOP MOUNTED ON CUSTOMER'S ENCLOSURE)

Recommended operating pressure for all Vortex A/C models is 90 to 100 psig (6.2 to 6.9 bar).

Vortec offers a complete line of Vortex Coolers for NEMA 12, 4, and 4X electrical cabinets. For assistance in sizing an appropriate Vortex A/C for your enclosure or for more information on any of our cooling models, please call our technical service staff at 800-745-5355.



Confident in the quality and reliability of Vortec products, we extend an unparalleled, 10-Year Warranty on Vortex A/C.



The Originator of Vortex Tube Products
800-745-5355 Vortec.com
10125 Carver Rd. Cincinnati, OH 45242