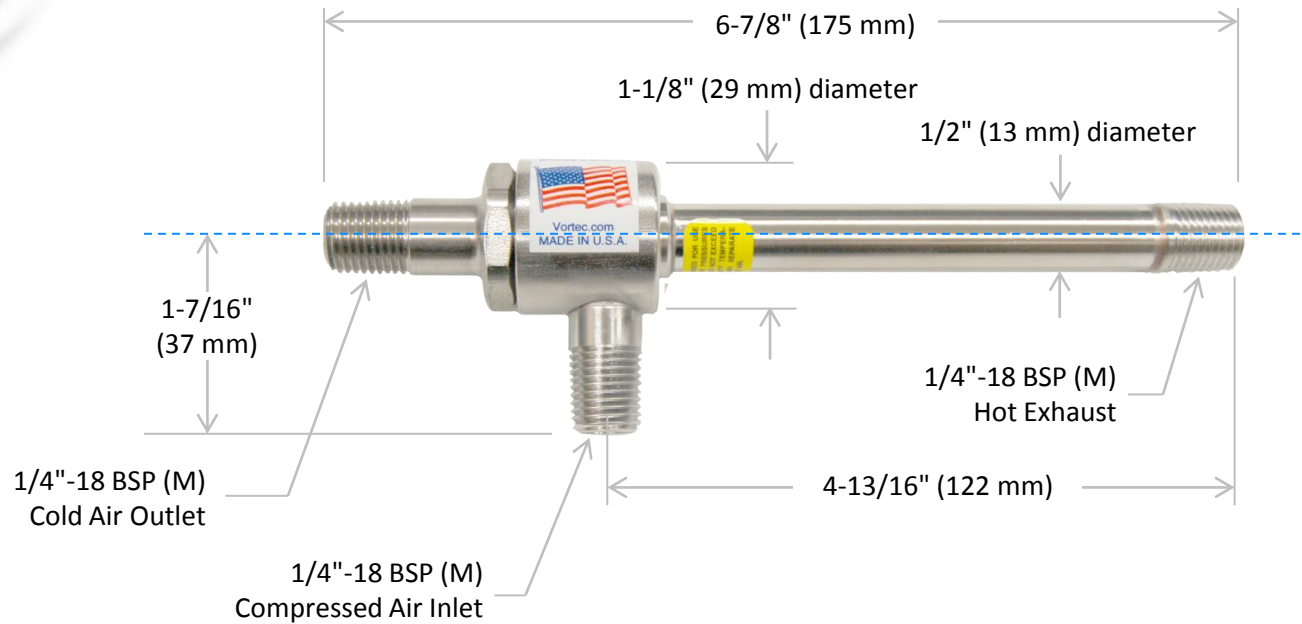


# Vortex Tube

Model 2o8SS



## SPECIFICATIONS

Product	Cooling Capacity		Air Consumption		Inlet Size	Outlet Size	Weight	
	BTU/hr	Watts	SCFM	SLPM			lbs	kg
208-11-HSS	640	188	11	311	1/4 inch BSP (F)	1/4 inch BSP (M)	0.4	0.18
208-15-HSS	900	264	15	425	1/4 inch BSP (F)	1/4 inch BSP (M)	0.4	0.18
208-25-HSS	1500	440	25	708	1/4 inch BSP (F)	1/4 inch BSP (M)	0.4	0.18

Note: Specifications are for 100 psig (6.9 bar) compressed air.