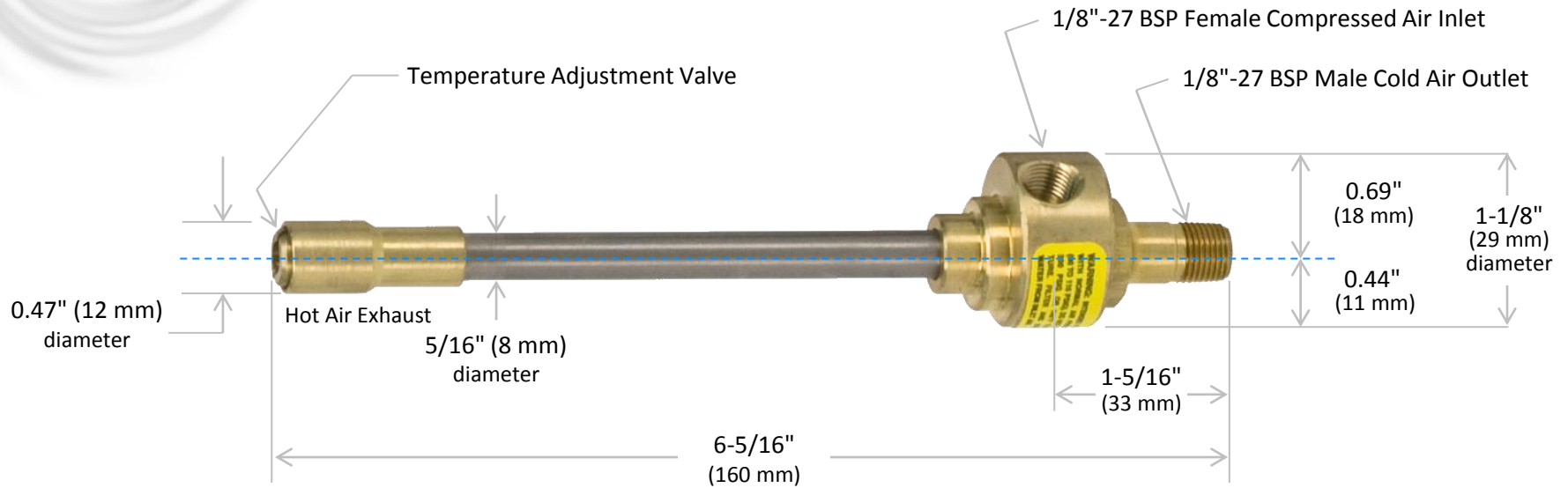


# Vortex Tube

Model 106



## SPECIFICATIONS

Product	Cooling Capacity		Air Consumption		Inlet Size	Outlet Size	Weight	
	BTU/hr	Watts	SCFM	SLPM			lbs	kg
106-2-H	100	29	2	57	1/8 inch BSP (F)	1/8 inch BSP (M)	0.3	0.14
106-4-H	200	59	4	113	1/8 inch BSP (F)	1/8 inch BSP (M)	0.3	0.14
106-8-H	400	117	8	226	1/8 inch BSP (F)	1/8 inch BSP (M)	0.3	0.14

Note: Specifications are for 100 psig (6.9 bar) compressed air.